

SSDI

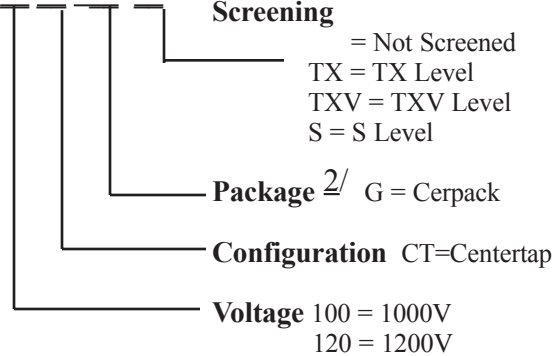
SOLID STATE DEVICES,

14830 Valley View Blvd * La Mirada, Ca 90638
 Phone: (562) 404-7855 * Fax: (562) 404-1773
 ssdi@ssdi-power.com * www.ssdi-power.com

DESIGNER'S DATA SHEET

Part Number /Ordering Information ^{1/}

SSR10C



SSR010C120CT SERIES

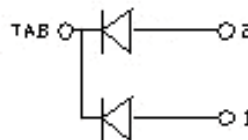
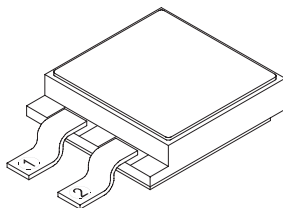
10 A / 1200 V Schottky Silicon Carbide Centertap Rectifier

FEATURES:

- 1200V Silicon Carbide Schottky Rectifier
- Average Output Current 10 Amps
- No Reverse Recovery
- No Forward Recovery
- No Switching Time Change over Temperature
- Small Package Size
- TX, TXV and Space Level Screening Available. Consult Factory.

Maximum Ratings ^{3/}		SYMBOL	VALUE	UNITS
Peak Repetitive Reverse and Peak Surge Reverse Voltage	SSR10C100CT SSR10C120CT	V_{RRM} V_R	1000 1200	Volts
Average Rectified Forward Current (Resistive load, 60Hz, Sine Wave)	Per Leg Total	I_o	5 10	Amps
Peak Surge Current (8.3 ms Pulse, Half Sine Wave Superimposed on I_o)		I_{FSM}	60	Amps
Operating and Storage Temperature		T_{OP} & T_{stg}	-55 TO +250	$^{\circ}C$
Junction Temperature		T_j	-55 TO +250	$^{\circ}C$
Maximum Thermal Resistance Junction to Case		$R_{\theta JC}$	1.5	$^{\circ}C/W$

Cerpack (G)



NOTE: All specifications are subject to change without notification. SCD's for these devices should be reviewed by SSDI prior to release.

DATA SHEET #: SH0029A

SSR010C120CT SERIES



SOLID STATE DEVICES, INC.

14830 Valley View Blvd * La Mirada, Ca 90638
 Phone: (562) 404-7855 * Fax: (562) 404-1773
 ssdi@ssdi-power.com * www.ssdi-power.com

Electrical Characteristics	SYMBOL	MIN	TYP	MAX	UNITS
Instantaneous Forward Voltage Drop ($T_A = 25^\circ\text{C}$, 300 - 500 μsec pulse)	V_{F1}	--	1.21	1.30	V_{DC}
	V_{F2}	--	1.65	1.75	
	V_{F3}	--	2.10	2.50	
Instantaneous Forward Voltage Drop (300 - 500 μsec pulse)	V_{F4}	--	1.46	1.50	V_{DC}
	V_{F5}	--	2.60	2.80	
Reverse Leakage Current (Rated V_R , $T_A = 25^\circ\text{C}$, 300 μs pulse min.)	I_{R1}	--	20	50	μA
Reverse Leakage Current (Rated V_R , $T_A = 150^\circ\text{C}$, 300 μs pulse min.)	I_{R2}	--	100	200	μA
Junction Capacitance ($V_R = 10\text{V}$, $T_A = 25^\circ\text{C}$, $f = 1\text{MHz}$)	C_J	--	280	320	pF

NOTES:

* Pulse Test: Pulse Width = 300 μsec , Duty Cycle = 2%

1/ For Ordering Information, Price and Availability Contact Factory.

2/ For Package Outlines Contact Factory.

3/ All Electrical Characteristics @25 $^\circ\text{C}$, Unless Otherwise Specified.

Available Part Numbers:

SSR10C100CTG
 SSR10C120CTG

PIN ASSIGNMENT

PACKAGE	Pin 1	Pin 2	Pin 3 (Tab)
CERPACK (G)	Anode	Anode	Cathode

Pour plus d'information, merci de contacter le distributeur en
France :

ISC-DISTREL

1 Avenue du Président Pompidou

BP 50801

92508 Rueil Malmaison Cedex

Tel : 01.41.39.25.00

Fax : 01.47.32.99.25

www.isc-distrel.com

contact@isc-distrel.com