

RED INDICATES ORIGINAL

DATA CONTAINED IN THIS DOCUMENT IS PROPRIETARY TO TROMPETER ELECTRONICS, INC. AND SHALL NOT BE DISCLOSED, COPIED OR USED FOR PROCUREMENT OR MANUFACTURE WITHOUT EXPRESS WRITTEN PERMISSION.

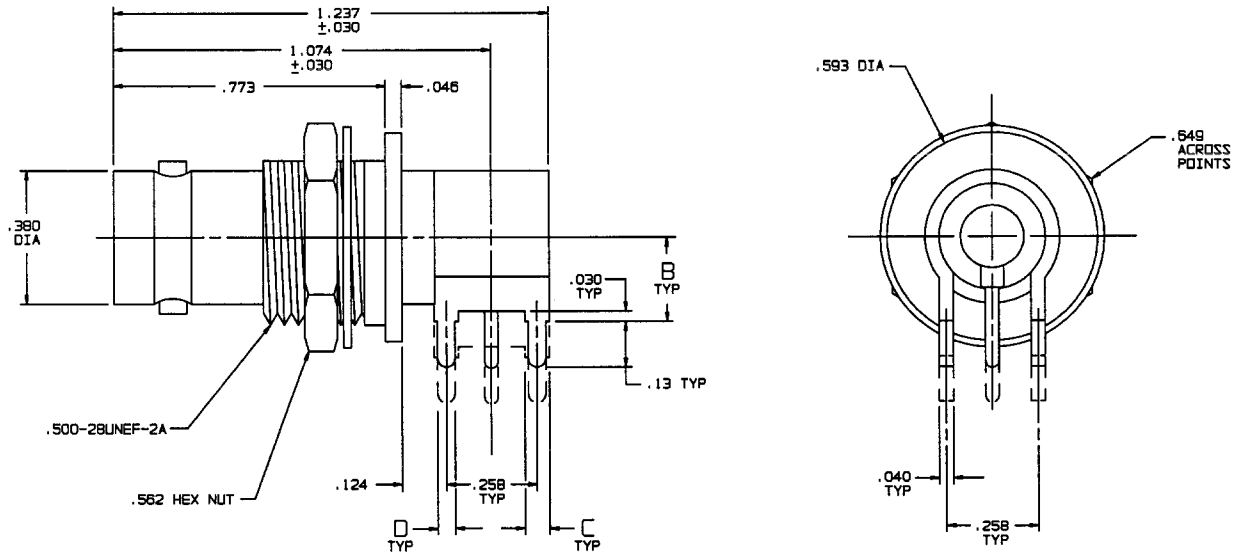
REV		EQ	DESCRIPTION	DWN	APPROVED	DATE
F	12896		DELETED NOTE Δ ; SEE ECO	R L	MM	8/12/99

REVISIONS

1-0052

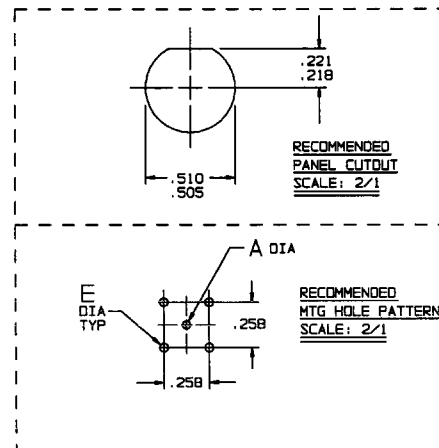
SH 1

DASH NO	MODEL NO	LTR CODE	IMPD	A DIA	B DIM	C DIM	D DIM	E DIA
-1	CBBJR29		50	.046	.24	.090	.050	.0625
-2	UCBBJR29		75	.029				
-3	CBBJR29A	A	50	.046	.34	.090	.058	.070
-4	UCBBJR29A		75	.029				



-1 SHOWN

INCH	MM	INCH	MM
.0015	0.04	.218	5.54
.005	0.13	.221	5.61
.029	0.74	.24	6.10
.030	0.76	.258	6.55
.040	1.02	.34	8.64
.046	1.17	.380	9.65
.050	1.27	.505	12.83
.058	1.47	.510	12.95
.060	1.52	.562	14.27
.0625	1.59	.593	15.06
.070	1.78	.649	16.48
.090	2.29	.773	19.63
.124	3.15	1.074	27.28
.13	3.30	1.237	31.42
.179	4.55		



- MAX PANEL THK .179
- LTR CODE "A" SHOWN IN PHANTOM
- EXAMPLE OF COMPLETE MODEL NO:
CBBJR29 A
LTR CODE (SEE TABLE) Δ
BASIC MODEL NO (SEE TABLE)
- FINISH: TFS-1A (NICKEL)
- 50 & 75 OHM RIGHT ANGLE CIRCUIT BOARD AND BULKHEAD MOUNTING BNC RECEPTACLE
- ALL DIM ARE IN INCHES

QTY	DESCRIPTION	PART NUMBER	ITEM			
TOL UNLESS SPECIFIED	TROMPETER ELECTRONICS, INC.	L/CBBJR29/A				
.XX ± .005						
.XXX ± .005						
ANGLES						
DWN	R L	6/8/99	MATERIAL	CODE IDENT	DRAWING NO.	REV
CHK	JR	8/10/99		14949	1-0052	F
ENGR						
NEXT ASSY	APPR	MM	8/10/99	SCALE 4/1	DATE 10-30-84	SHEET 1C

Pour plus d'information, merci de contacter le distributeur en
France :

ISC-DISTREL

1 Avenue du Président Pompidou

BP 50801

92508 Rueil Malmaison Cedex

Tel : 01.41.39.25.00

Fax : 01.47.32.99.25

www.isc-distrel.com

contact@isc-distrel.com